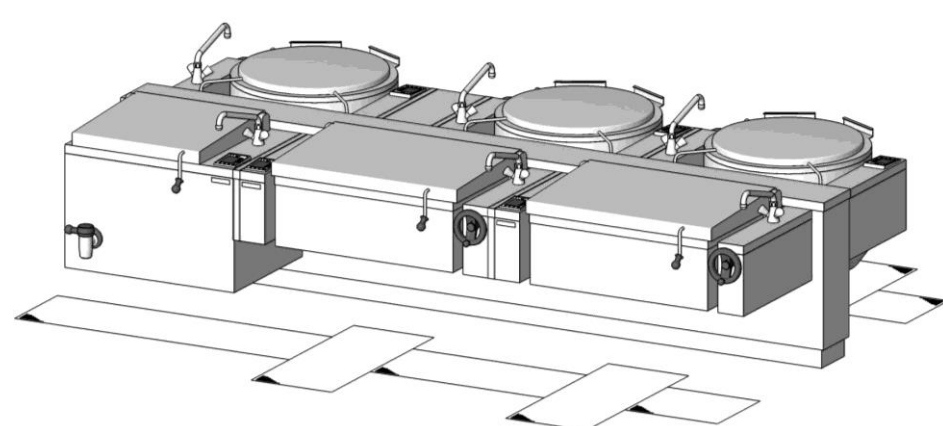


# ELRO TCO (operational calculation)

## ELRO MULTIFUNCTIONAL SOLUTION

Cooking island with multifunctional appliances: Parallel production

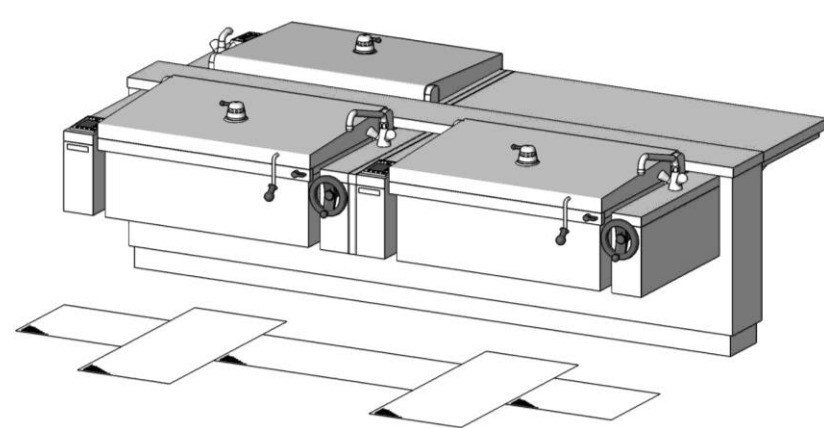
Surface exhaust hoods: **6.99 m<sup>2</sup>**  
Surface floor gutter: **3.12 m<sup>2</sup>**



## TRADITIONAL SOLUTION

Traditional cooking island: sequential production

Surface exhaust hoods: **9.26 m<sup>2</sup>**  
Surface floor gutter: **6.09 m<sup>2</sup>**



Life span appliance  
Number of appliances

### INVESTMENT COSTS

Per appliance  
Total appliances  
Building & infrastructure

### Total

### OPERATING COSTS PER YEAR

Depreciation investment  
Maintenance costs (spare parts, service technicians)  
Downtime costs appliance  
Downtime costs personnel  
Cleaning costs personnel/time  
Energy costs (0.0776 €/kW/H)

### Total

Payback in years

	ELRO	Traditional	Difference
Life span appliance	20 years	12 years	+8/ <b>+40%</b>
Number of appliances	6	9	-3 / <b>-30%</b>
<b>INVESTMENT COSTS</b>			
Per appliance	24.000 €	19.000 €	
Total appliances	144.000 €	171.000 €	-27.000 € <b>-20%</b>
Building & infrastructure	27.429 €	41.432 €	-14.003 € <b>-60%</b>
<b>Total</b>	<b>195.455 €</b>	<b>231.453 €</b>	<b>-40.998 €</b>
<b>OPERATING COSTS PER YEAR</b>			
Depreciation investment	8.114 €	15.631 €	-7.517 € <b>-100%</b>
Maintenance costs (spare parts, service technicians)	4.320 €	0 €	4.320 €
Downtime costs appliance	17.280 €	76.950 €	-59.670 € <b>-350%</b>
Downtime costs personnel	6.240 €	23.400 €	-17.160 € <b>-280%</b>
Cleaning costs personnel/time	36.563 €	91.406 €	-54.844 € <b>-150%</b>
Energy costs (0.0776 €/kW/H)	10.976 €	21.819 €	-10.843 € <b>-100%</b>
<b>Total</b>	<b>83.493 €</b>	<b>229.206 €</b>	<b>-145.714 €</b>
<b>Payback in years</b>	<b>1.34</b>		

**+40%**

**Life span appliance**

Thanks to guaranteed availability of critical spare parts of 20 years and the robust construction, which is characterized by IPX9, the life span is **40% longer**.

**-30%**

**Required appliances**

Due to the multifunctionality of ELRO appliances, productivity and flexibility are increased, such that the amount of equipment needed to fulfill production needs can be reduced.

**-17% Investment costs**

**-350%**

**Downtime costs appliance**

Downtime is reduced thanks to stable design and optimized maintenance processes

**-280%**

**Downtime costs personnel**

Productivity is 3% higher compared to comparable competitor products because of its stable design. This results in higher efficiency for the kitchen personnel.

**-150%**

**Cleaning costs personnel/time**

The hygienic design and IPx6 / IPx9K construction built enables efficiency savings regarding cleaning time and supplies.

**-65% Operating costs**

**To investment in ELRO equipment always pays off!**